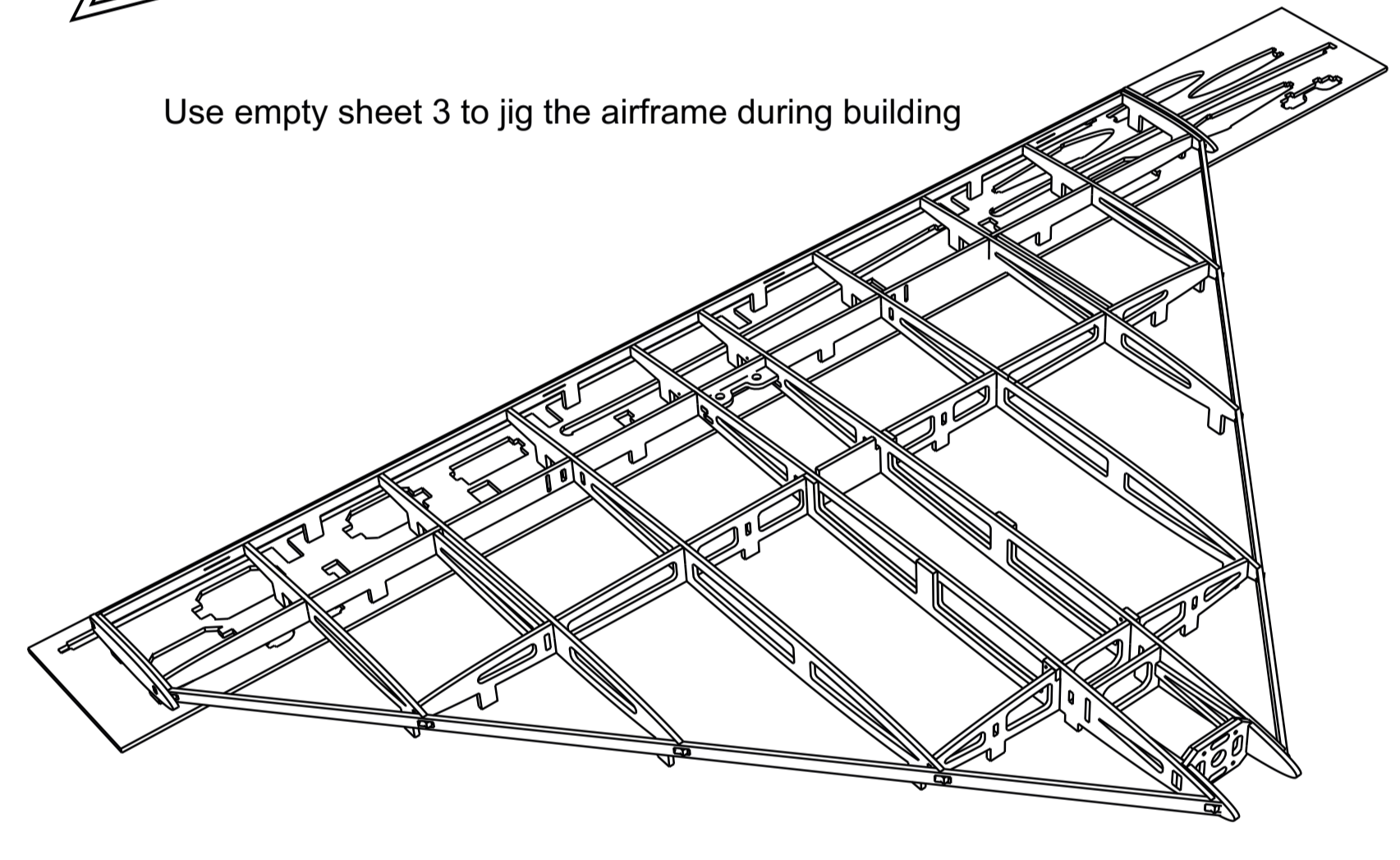


use leftover control wire to make hinge pin for the hatch

Lightning one

Use empty sheet 3 to jig the airframe during building



Wingspan 770mm
 Length 560mm
 Weight 400~600 gram
 Channels 3 (2x elevon and ESC)
 Motor 2826-2200 3S setup
 Servo's 9gr metal gear

